

ProDVX

10.1" Digital Signage Display

Model: APPC 10DSK/P/PL



Basic Specification

Display	TFT LCD	10.1" (16:9 diagonal) inch configuration
	Number of Pixel	1280 RGB (H) x 800(V)
	Back-light	LED Side-light type
Media format	Video	MKV, TS, FLV, AVI, VOB, MPG, DAT, ASF, RM, MOV, 3GP, MP4, WMV
	Audio	MP2, WMA, WAV, AAC, OGG, ASF
	Picture	JPG, BMP, GIF
I/O	SD card slot	SD card (SDHC Class10 compatible)
	USB	USB 2.0 host type A×1
	Micro USB	Micro USB 2.0 × 1
	Add-on Module Slot	USB 2.0 x 3
Speaker	High quality speaker	2W×2
Power	DC adapter	12V/2A DC adapter
Wireless Communication	Wi-Fi	802.11 a/b/g/n
	Bluetooth	BT4.2
Ethernet	RJ45	10/100/1000 Mbps LAN
	POE	Power Over Ethernet (optional)
Camera	Front	Front: 2M pixels (optional)
Function keys	Key button	+、-、Up、Down、Exit

Detail Specification Hardware

CPU

- Cortex-A17, Quad Core, up to 1.8 GHz

GCPU

- Mali-T764, with TE, ASTC, AFBC technology

System Memory

- 2GB DDR3 SDRAM

Internal Storage Memory

- 8GB eMMC

External Storage Memory

- SD Card (SDHC Class10 compatible)

LCD

- 10.1" 1280X800 digital TFT LCD

Touch Panel Type

- 5 point capacitive multi-touch type

Amplifier, Speaker

- Speaker unit: 2W+2W
- Amplifier 2.1W+2.1W
- Save the set-up volume and keep the value at the time of power off and on.

Clock Battery (for RTC)

- Lithium-ion non-rechargeable coin battery

LED

- [power supply ON] , and [power supply OFF] modes are supported.
- Power supply ON: Red then turn Green after kernel boot up. -
- Power supply OFF: LED light off

Wireless Communication Specification

- Wi-Fi: IEEE 802.11a/b/g/n
- Bluetooth

Ethernet Communication Specification

- 10/100/1000Mbps LAN RJ45 built-in
- POE (optional)

External Interface

- SD card slot
- Key button (+, -, Up, Down, Exit)
- USB interface:
 - USB host type A port (USB 2.0 high speed 480Mbps) x 1
 - Micro USB port (USB 2.0 high speed 480Mbps) x 1
 - Add-on Module slot (USB 2.0 interface high speed 480Mbps) x 3
- Ethernet RJ45 10/100/1000 Mbps connector
- Power switch
- DC adapter port

- Metal-fittings mounting screw holes: 75x75mm VESA mount
- Headset audio port

Case Outlook

- Front



1. Camera (optional)

- Top



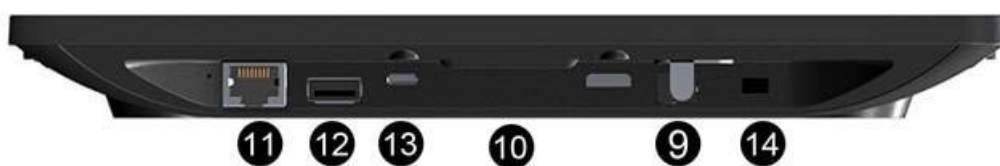
2. LED
3. SD card slot + cover
4. Exit button
5. Function keys (up/down)
6. Function keys (Vol+ / Vol-)

- Back



- 7. Speakers
- 8. VESA mounting holes (75x75mm)
- 9. DC in
- 10. Add-on Module Slot

- Bottom



- 9. DC in
- 10. Add-on Module Slot
- 11. Ethernet RJ45 port
- 12. USB type A
- 13. Micro USB
- 14. Power switch

- Left



15. Headphone audio port

Case Dimensions

- The case dimension: (estimation)
Width: 252.1mm
Height: 177.8mm
Depth: 24.0mm

Weight

- 594.3g (main body only, excluding AC adapter and metal bracket)

Housing Design

- Body and cover are in black color.

Housing Material

- Body: ABS+PC

Power

- Power consumption: 1KHz audio playback etc. about 23W MAX, OFF 0W
- Input power spec.: AC 100-240Vac, 2A max. 50-60Hz, DC 12V±5%

Environmental Correspondence

- ROHS

Shipment Form

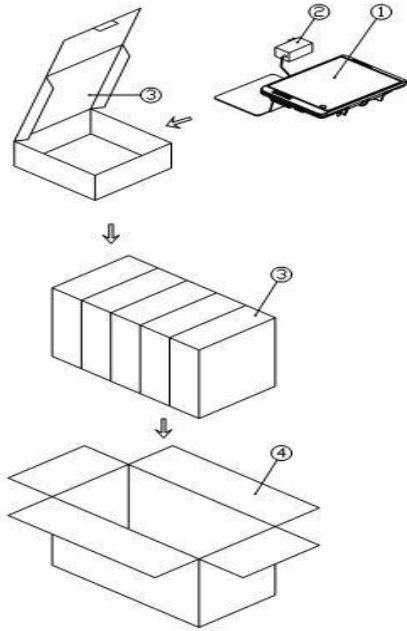
- Appended goods



- AC adapter,
- Mounting bracket (screwed on body, optional),

Packaging Specification (estimation)

- 1PCS packaging box dimension: (L)360mm x (W)235mm x (H)50mm - 5PCS carton dimension: (L)370mm x (W)290mm x (H)260mm



1. Main body
2. AC adapter
3. 1PCS packaging box
4. 5PCS packaging carton

Software

OS

- Android 6.X